

BUD-40/2

PV DC Surge Protection Device

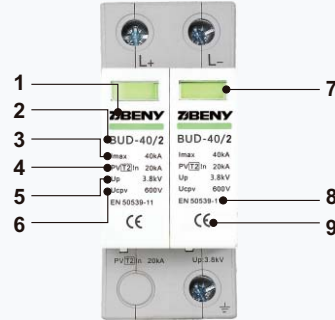


- 1 Brand
- 2 Type
- 3 Max. Discharge Current I_{max}
- 4 Nominal Discharge Current I_n
- 5 Voltage Protection Level U_p
- 6 Max. Continuous Operating Voltage U_{cpv}
- 7 Indicator
- 8 Standard Code
- 9 Certificate Symbol

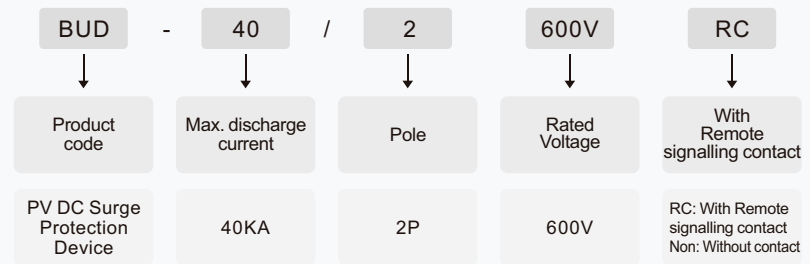
Application

ZBENY PV DC BUD-40/2 Surge Protection Device was designed and manufactured, complying the PV standard EN50539-11, It widely used in PV DCcombiner box, inverter, controller and PV DC cabinet. Rated voltage 600V DC,Maximum discharge current 40KA,High Energy Varistor, high effective for lightning protection.

Appearance Introduction



Type Instruction



- Suitable For Use in All Photovoltaic Systems
- Prewired Modular Complete Unit, Consisting of A Base Part and Plug-in Protection Modules
- Plug-in Protection Module, Easily Installation and Maintainance
- High Energy Varistor, Response Time Less Than 25 Nanosecond
- Optional Remote Signalling Contact(FM) for Monitoring Device (Floating Changeover Contact)
- Din Rail Mounting TH35-7.5/DIN35
- Comply with :EN 50539-11

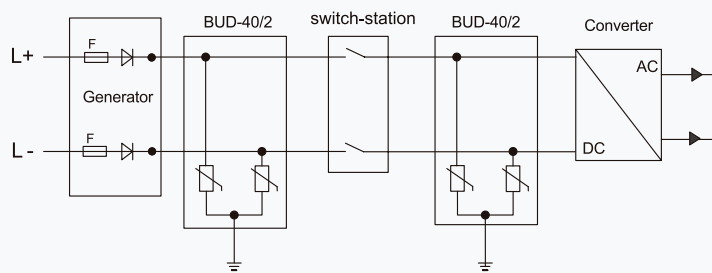
Parameter

PV DC BUD-40/2 Surge Protection Device		
Pole		2P
Standard		EN 50539-11
Electrical Characteristics		
Category IEC/EN		IEC II/EN2
Open Voltage	U_{oc} Max	600V DC
Max Continuous Operational Voltage	U_c	600V DC
Nominal Discharge Current	$I_n(8/20)\mu s$	20KA
Maximum Discharge Current	$I_{max}(8/20)\mu s$	40KA
Voltage Protection Level	U_p	$\leq 3.8KV$
Response Time		$< 25ns$
Control and Indication		
Operating State/fault Indication		Green/Red
Plug-in Protection Module		■
Remote Signalling Contact(Optional)	Max. Working Voltage(V)	30V DC
	Max. Working Current	1A
Connection and Installation		
Wire	Hard cable mm^2	4~25
	Flexible cable mm^2	4~16
Terminal Screws		M5
Torque(Nm)	Main Circuit	2.5
	Remote Contact	0.25
Degree of Protection		IP20
Installation Environment		
Operating Temperature Range (TU)		-40°C~+85°C
For Mounting on		TH35-7.5/DIN35
Relative Humidity		30%~90%
Weight kg		0.24

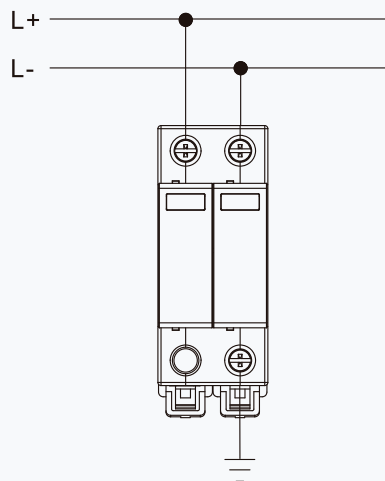
BUD-40/2

PV DC Surge Protection Device

Principal Drawing



Wiring Method



Dimensions(mm)

